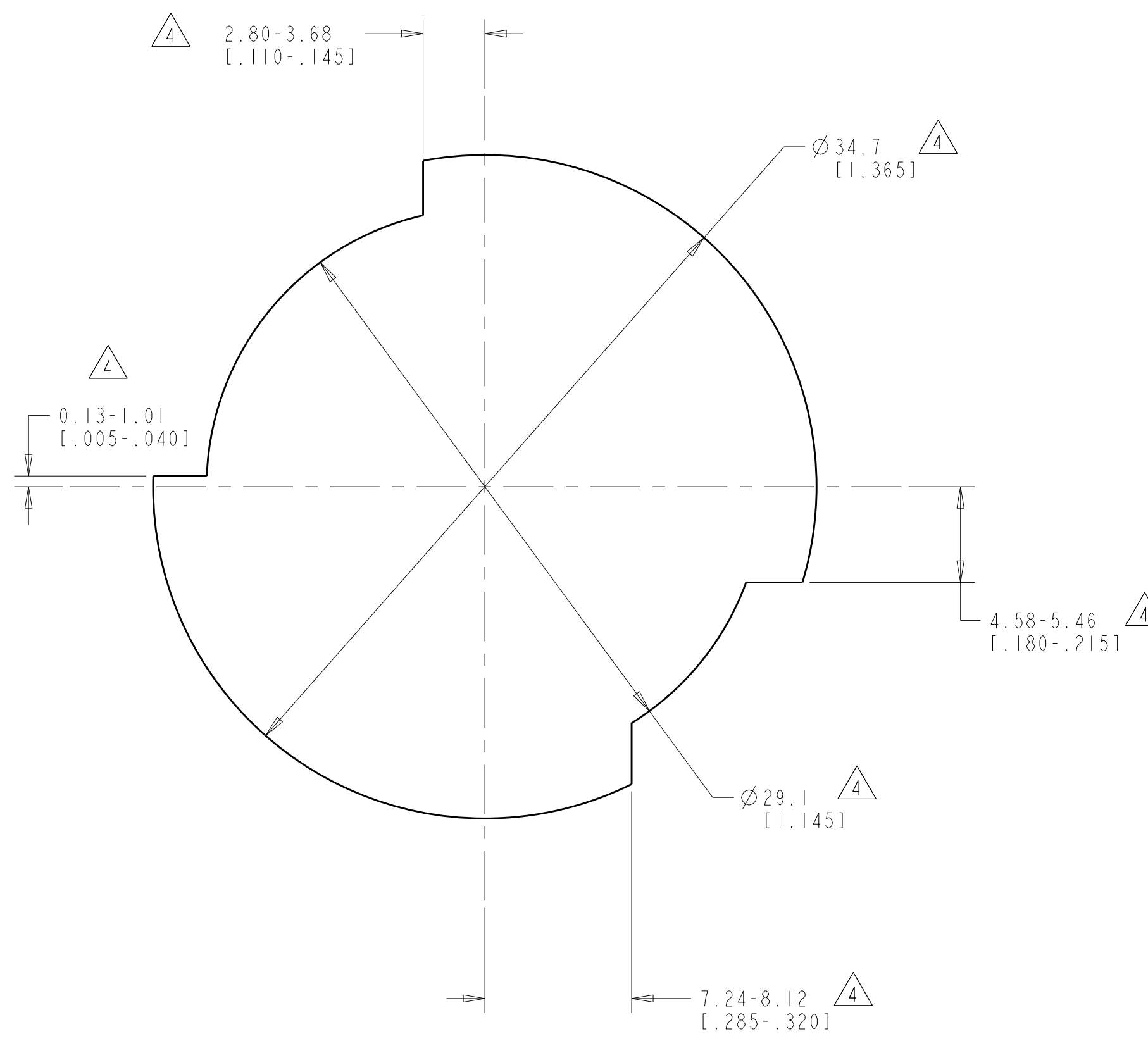
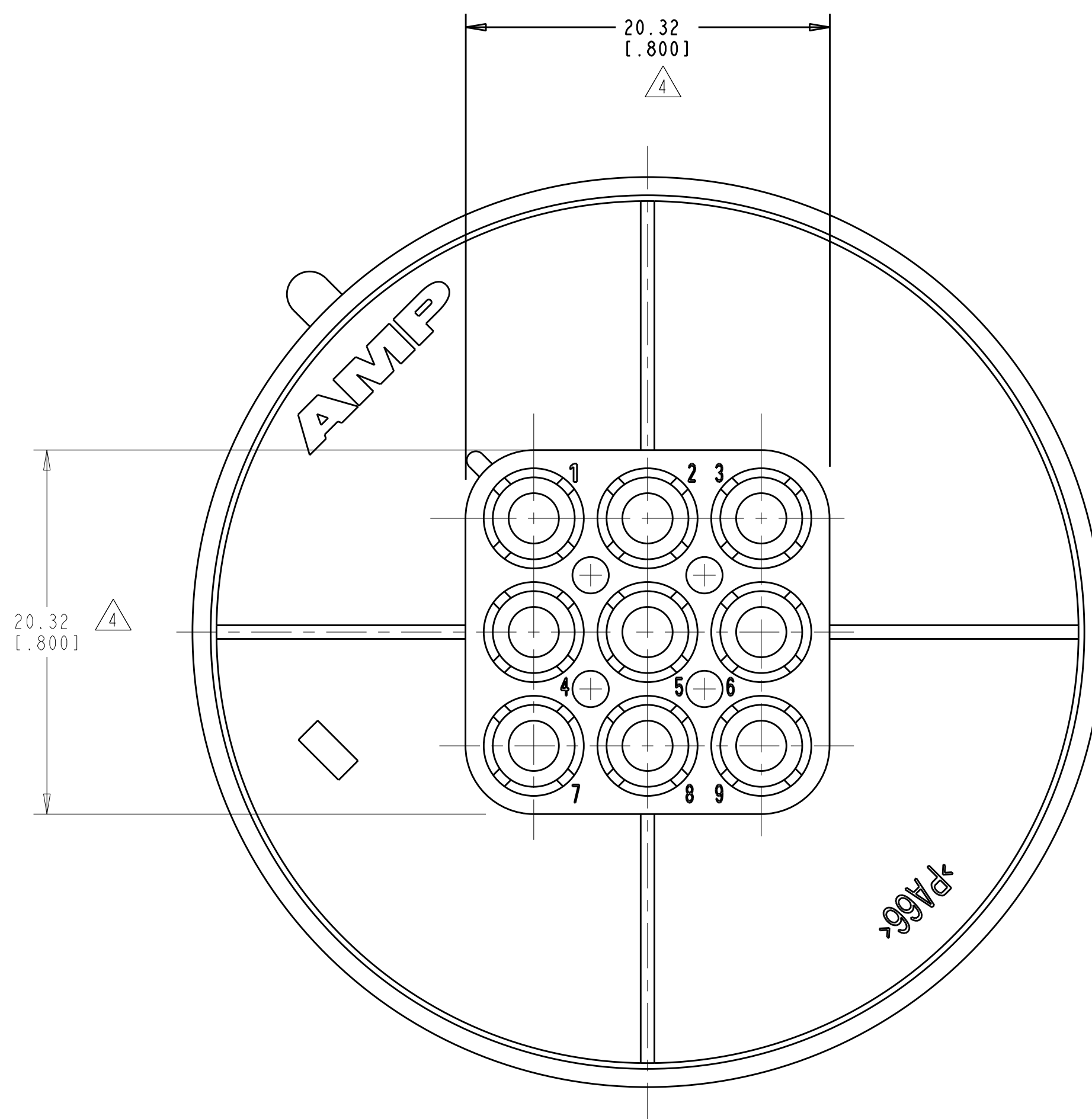
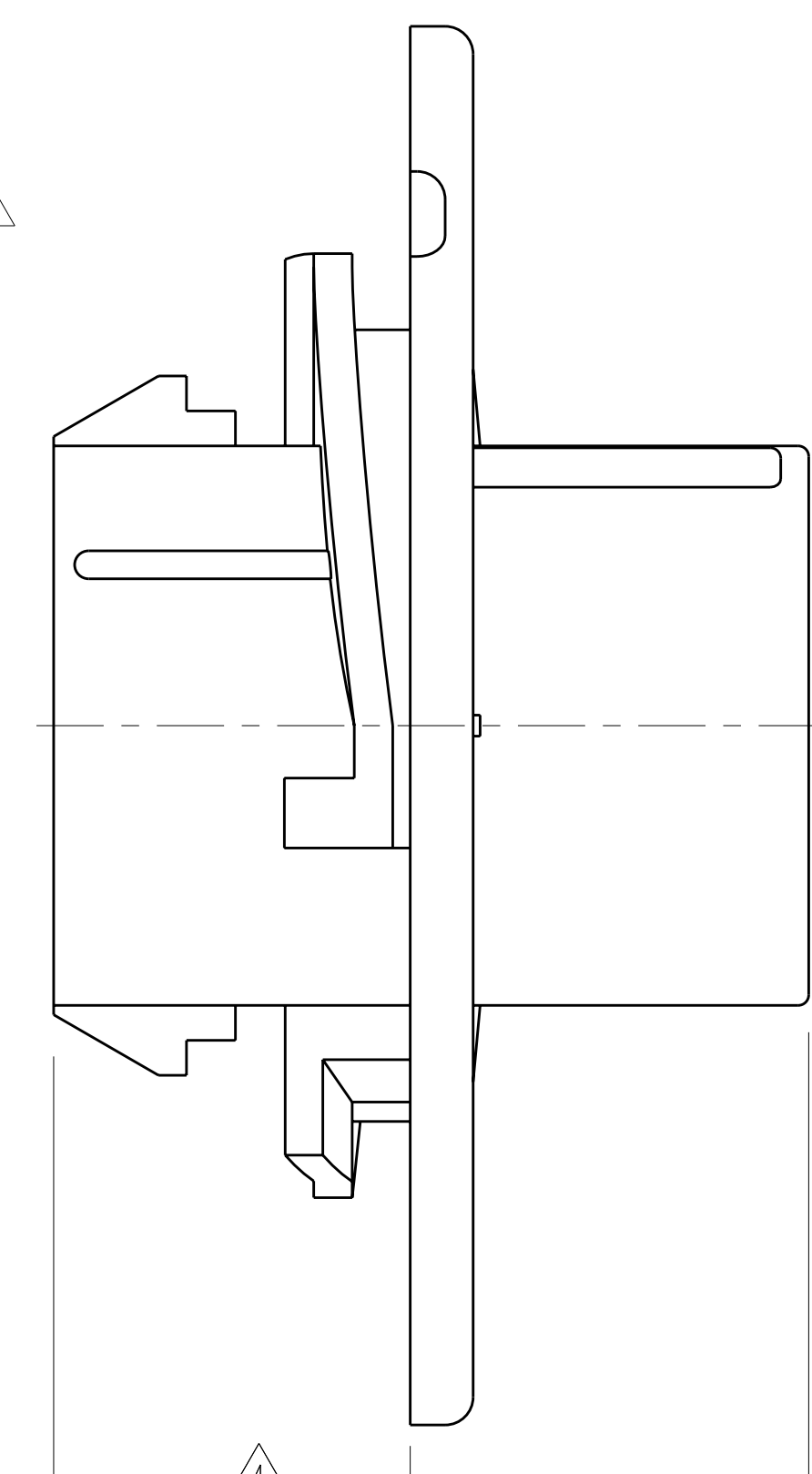
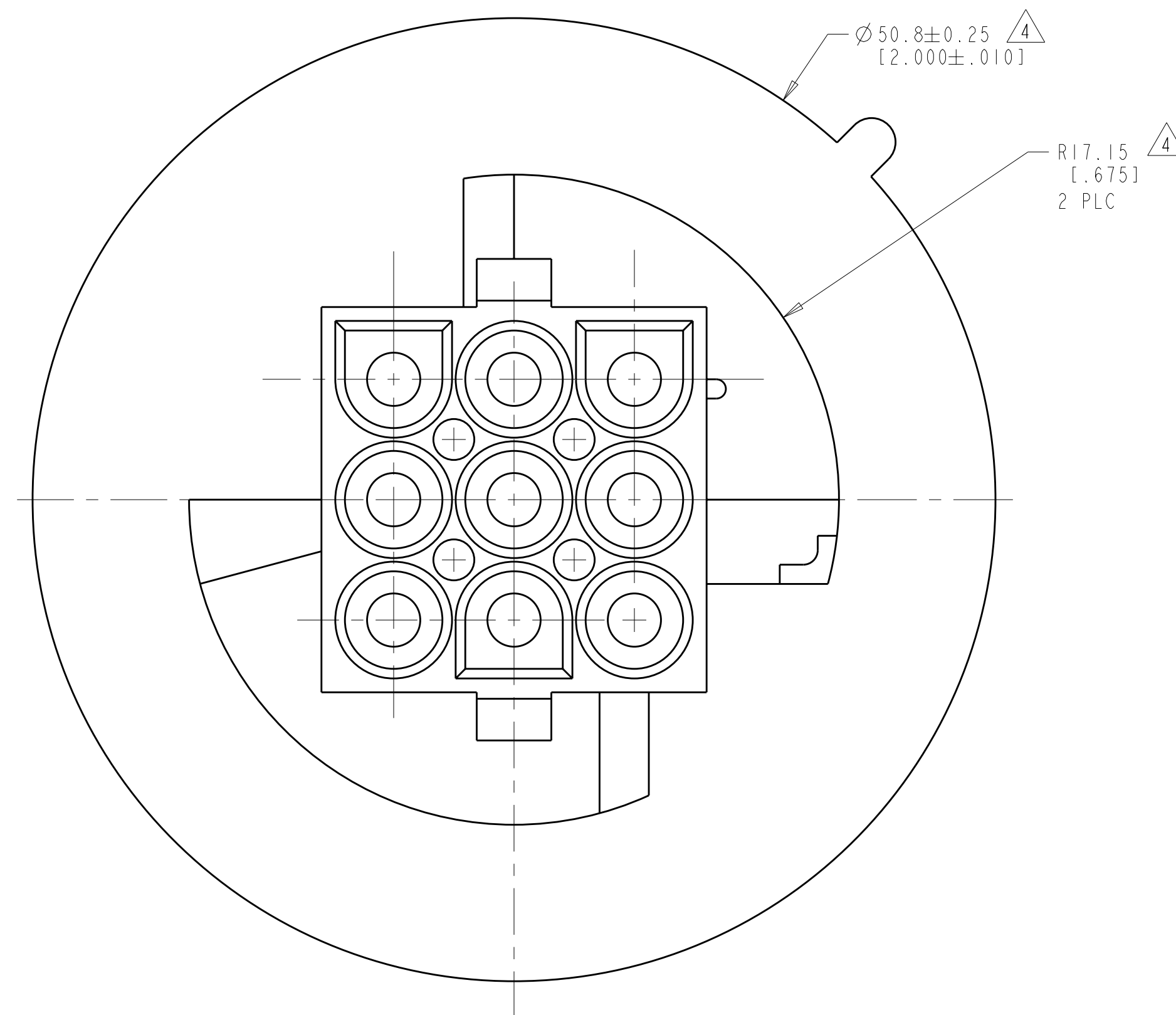
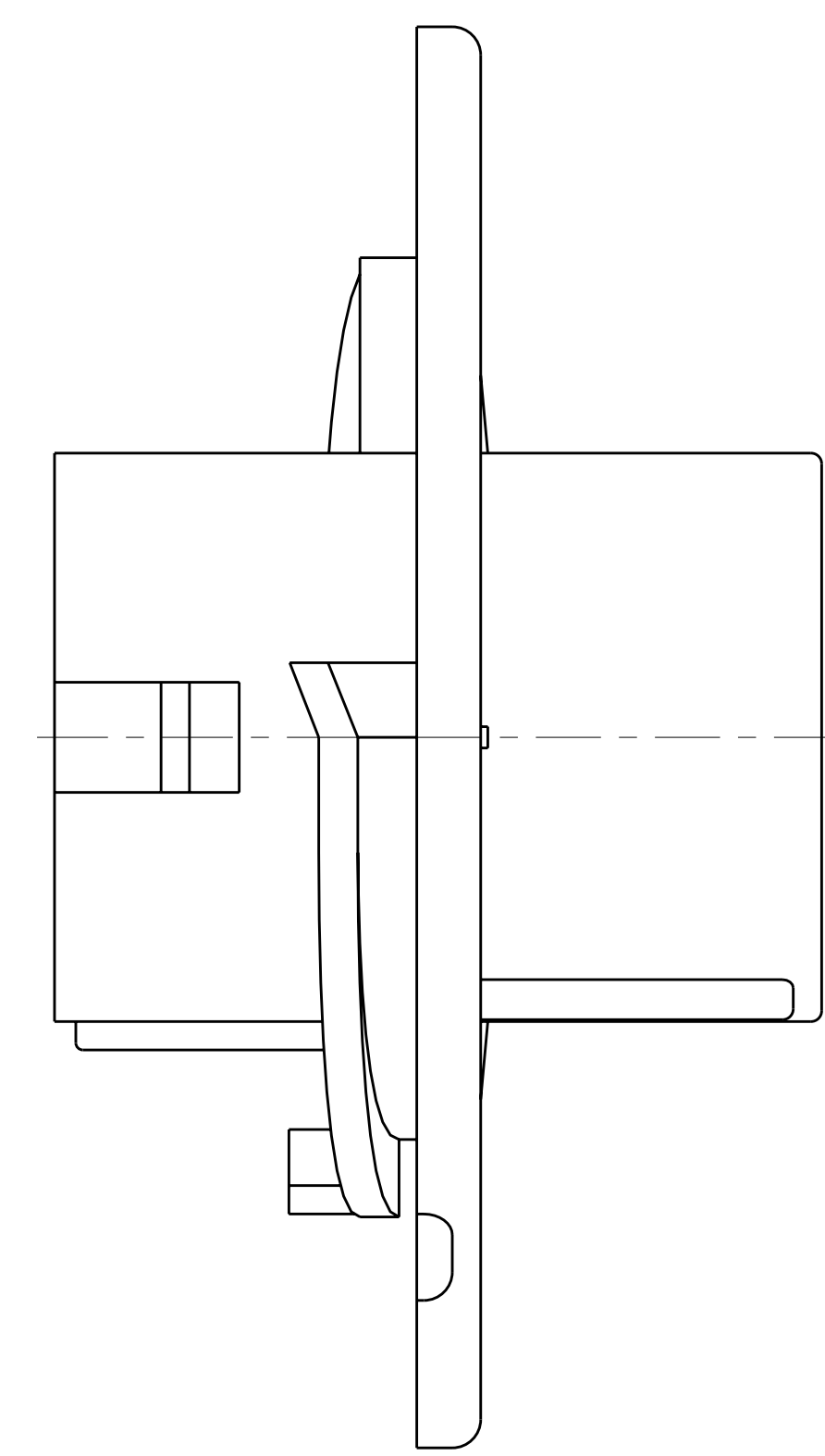


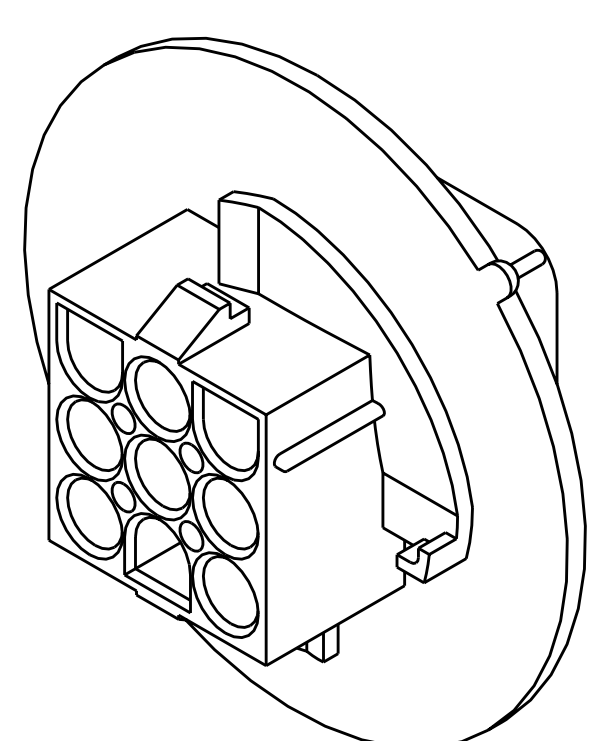
LOC	DIST	REVISIONS			
CM	00	REV	DATE	BY	APPD
		D	13OCT2006	KW	SR
		D1	18OCT2006	KW	SR
		D2	15DEC2006	KW	SR



RECOMMENDED CUT OUT



- MATES WITH APPROPRIATE UNIVERSAL MATE-N-LOK™ PLUG.
 - RECOMMENDED PANEL THICKNESS 0.76 - 2.29 [1.030 - .090].
 - PANEL MUST BE PUNCHED SO THAT THE HOUSING ENTERS THE PANEL IN THE SAME DIRECTION AS THE PUNCH.
- △ DIMENSIONS INDICATED ARE REFERENCE. ADDITIONAL GROWTH DUE TO SUBSEQUENT MOISTURE ABSORPTION MAY OCCUR.



3-DIMENSIONAL MODEL
SCALE 2:1

BLACK	1-794761-9
GRAY	1-794761-8
BLUE	1-794761-6
GREEN	1-794761-5
YELLOW	1-794761-4
ORANGE	1-794761-3
RED	1-794761-2
BROWN	1-794761-1
NATURAL	794761-1
COLOR	PART NUMBER

DIMENSIONS: mm [INCHES]		TOLERANCES UNLESS OTHERWISE SPECIFIED: 9 PLC ± 1 PLC ±0.13 [.005] 5 PLC ± 4 PLC ± ANGLES ±40° 30'		DWN: K. WHITAKER CHK: K. COBLE APVD: K. COBLE DATE: 20-JUNE-2000		AMP Incorporated Harrisburg, PA 17105-3608	
MATERIAL: NYLON UL 94V-0, WHITE		FINISH:		PRODUCT SPEC: APPLICATION SPEC:		NAME: CAP. 9 CIRCUIT, UNIVERSAL MATE-N-LOK(TM), SPECIAL	
METRIC		WEIGHT:		SIZE: CAGE CODE: DRAWING NO: A1100779 C=794761		RESTRICTED TO:	
CUSTOMER DRAWING				SCALE: 4:1		SHEET 1 OF 1 REV D2	